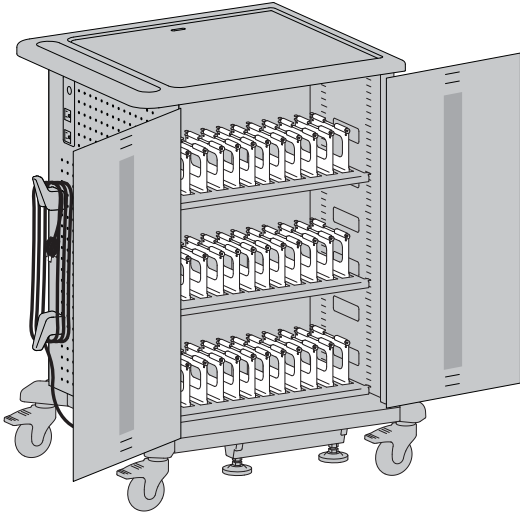


YES45

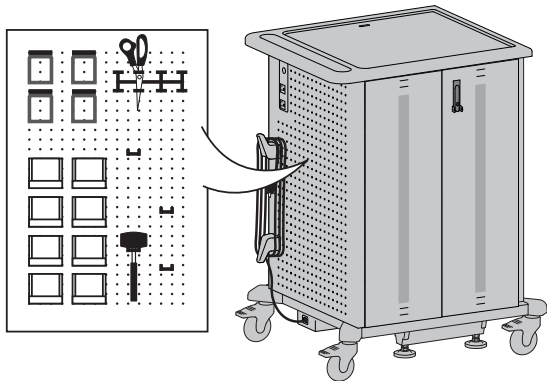
Adjusta™ Charging Cart

For Chromebooks



This cart is designed to automatically charge and store 1-45 tablet, smart phone, and Chromebook devices safely and efficiently. Adjustable shelves customize shelf height in 1.7 cm increment to fit a range of device heights; adjustable bays slide left to right to fit even the largest cases.

Rated weight capacity for mounting to peg board sides
 Single bin 3 lbs (1.4 kg)
 Entire side peg board panel: 25 lbs (11.4kg)



Cart dimensions
 28.75"W x 25"D x 41.5"H (73Wx64Dx105H cm)

Cart weight (without equipment)
 174 lb (79.1 kg)

Rated weight capacity
 Top Work Surface: 25 lb (11.4 kg)
 Entire side peg board panel: 25 lbs (11.3kg)

Device Slot Size (for 45 Slot set up)
 1.07"W x 14.25"D x 10"H (2.7x36.2x25.4 cm)
 Device with case and power cord installed must fit within these dimensions.

External power outlet(s)
 Two outlets
 100V~ 50/60-Hz, 3A

Shipping dimensions
 34"W x 32"D x 53"H (86x81x135 cm)

Shipping weight
 225 lb (102 kg)

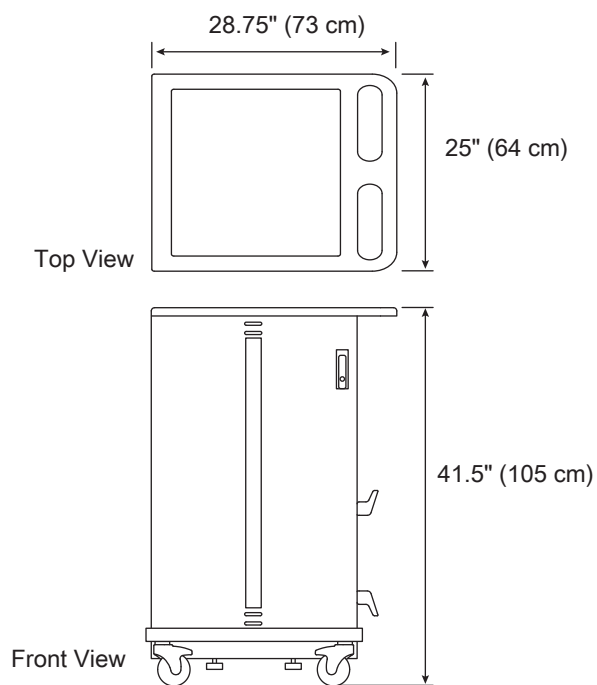
Power system
 100V~ 50/60-Hz, 12A
 Maximum input for 6 devices cannot exceed 9A

Environmental
 Temperature range:
 Operating 59° to 86°F (15° to 30°C)
 Storage -40° to 140°F (-40° to 60°C)

Relative humidity (maximum):
 Operating 10%–90% (non condensing)
 Storage 5%–95% (non condensing)

Altitude (maximum): 2000 m (6,562 ft)
 Certification:
 IEC 60950 Safety of Information Technology Equipment.
 VCCI, Class A
 RoHS and REACH compliant material used.

YES45 Adjusta™ Charging Cart For Chromebooks



© 2019 Ergotron, Inc. rev. 05/05/2020 DIM-YES45 **Content is subject to change without notification**

Americas Sales and Corporate Headquarter	EMEA Sales	APAC Sales	Worldwide OEM Sales
St. Paul, MN USA (800) 888-8458 +1-651-681-7600 www.ergotron.com insidesales@ergotron.com	Amersfoort, The Netherlands +31 33 45 45 600 www.ergotron.com info.eu@ergotron.com	Sydney, Australia www.ergotron.com apaccustomerservice@ergotron.com	www.ergotron.com info.oem@ergotron.com